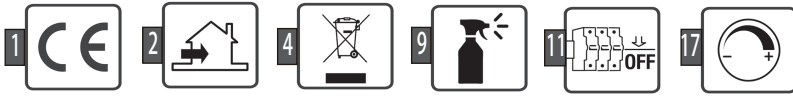
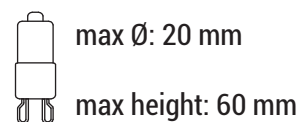
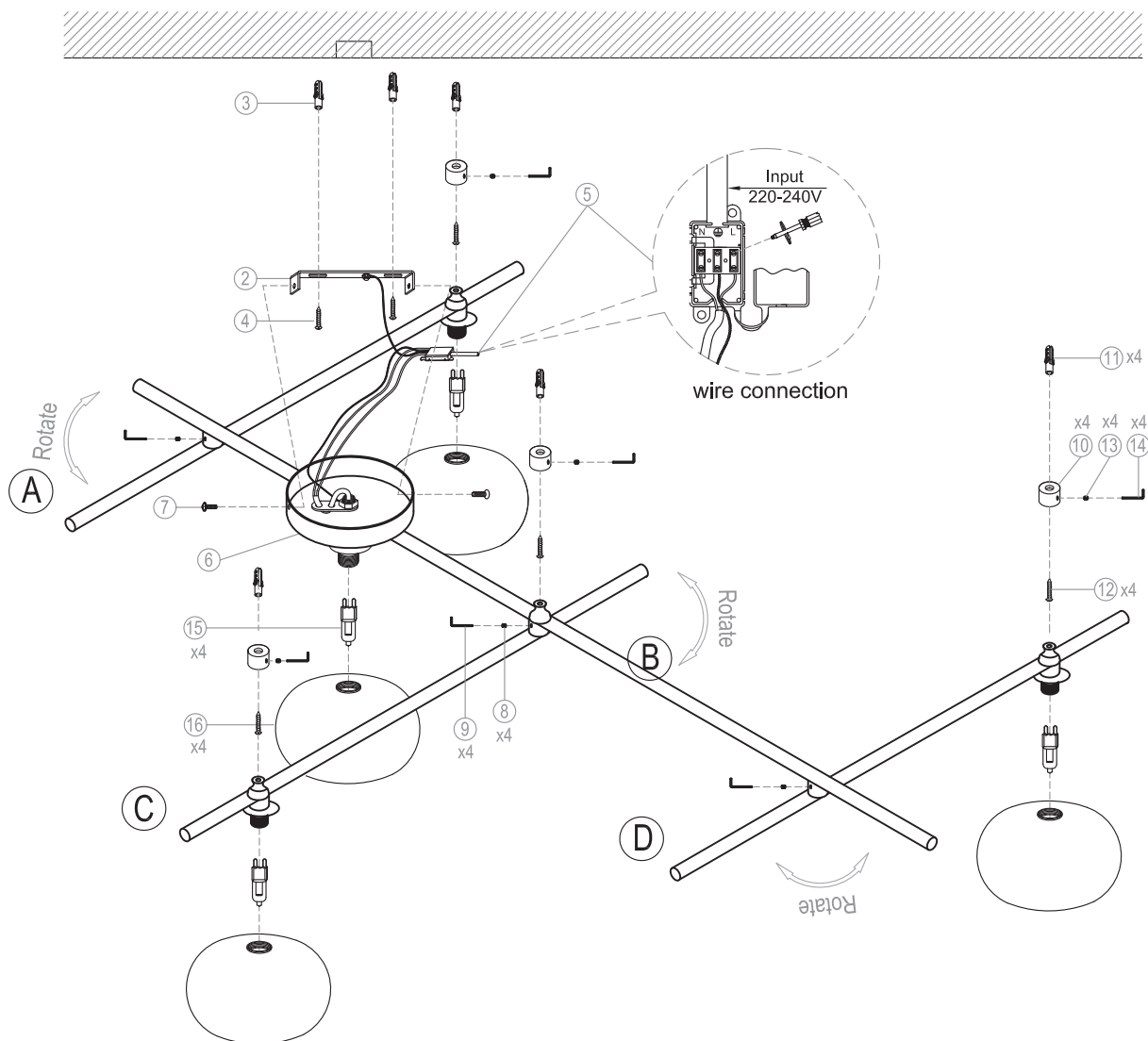
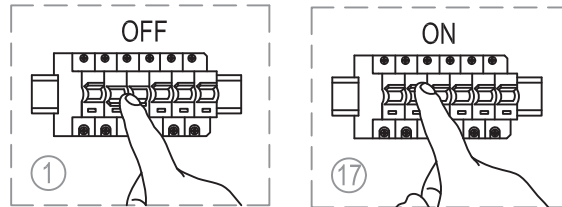


miloox[®]

Model: 1744.177



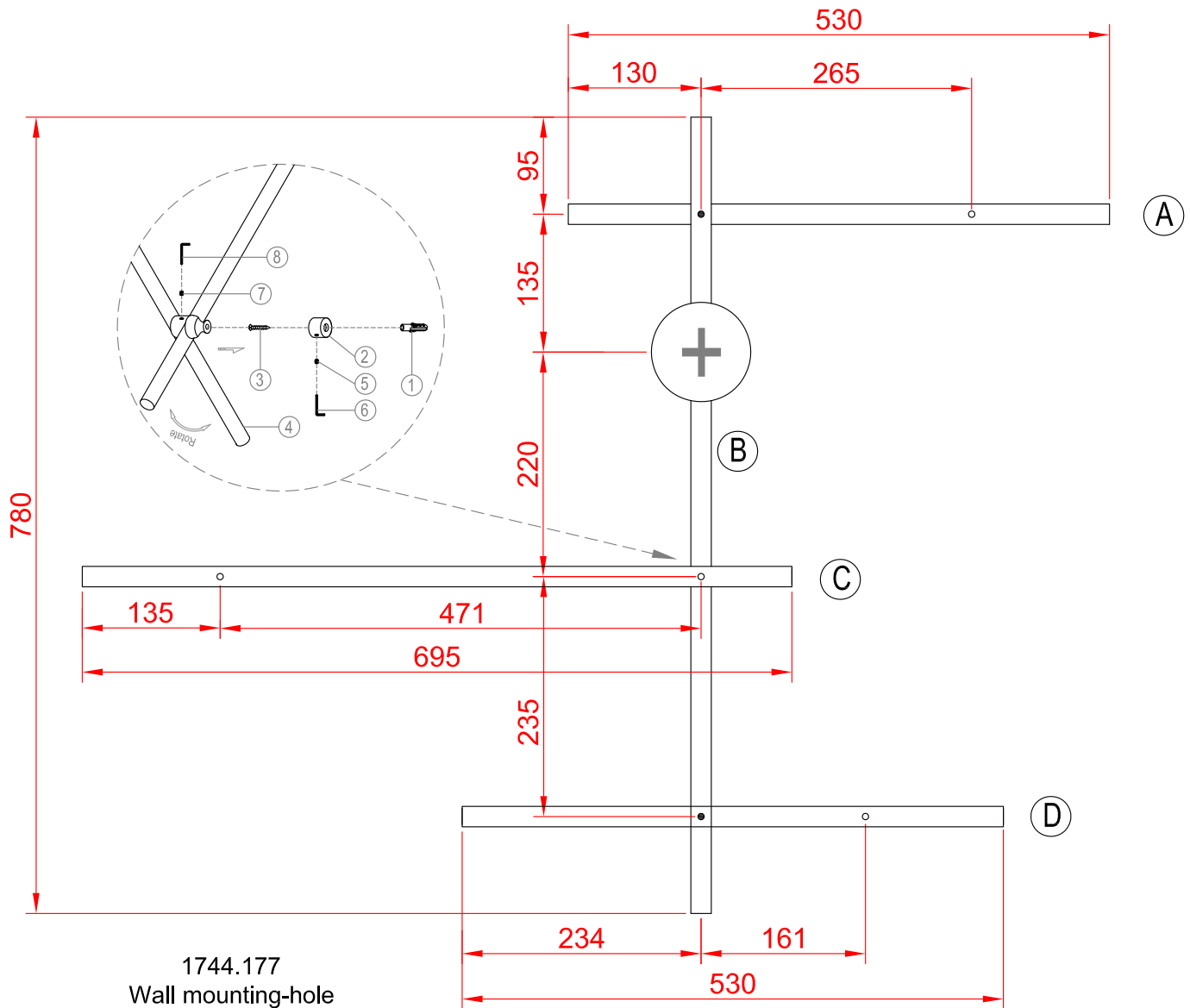
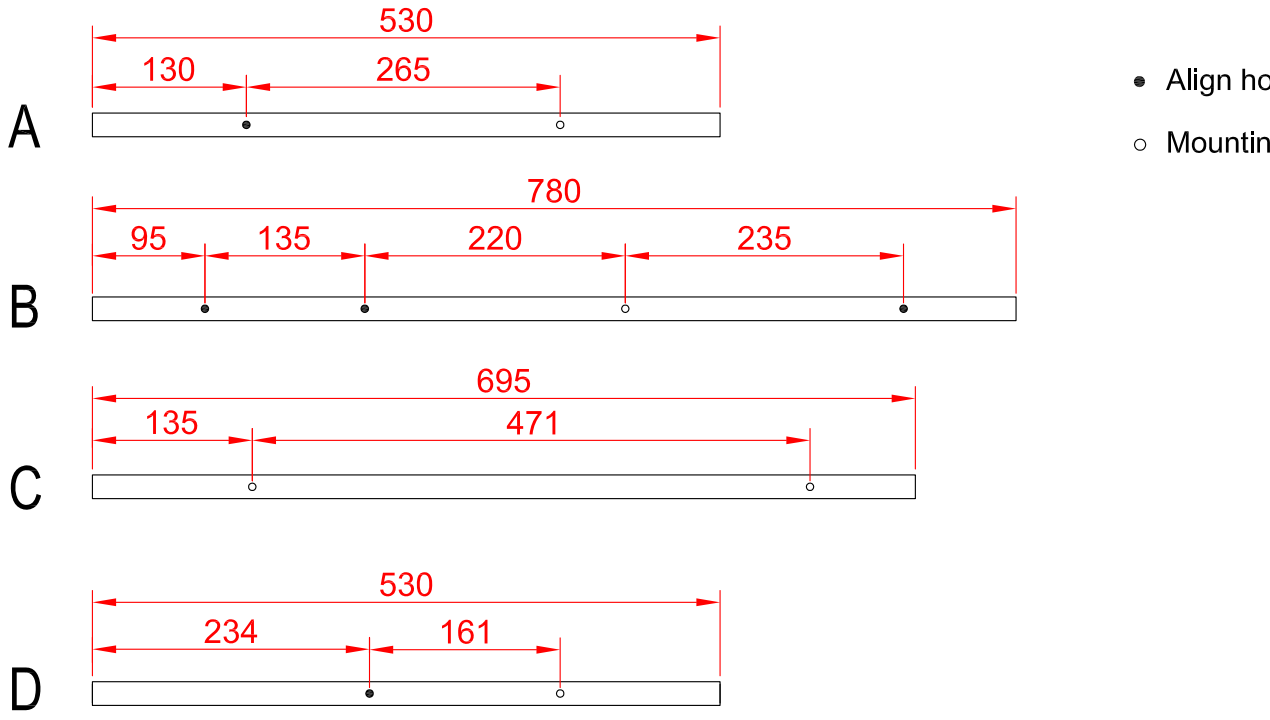
G9 x 4 x 40W MAX,
220~240V 50/60Hz



Imported from Sforzin Illuminazione,
Viale dell'industria 21.20037.Paderno
Dugnano-Milano Italy.Made in China
www.miloox.it

DESIGN: ARCH.DAVIDE NEGRI

- Align hole
- Mounting hole



1744.177
Wall mounting-hole
Distribution diagram