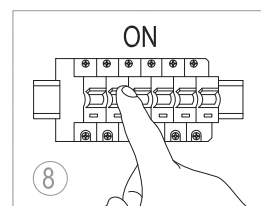
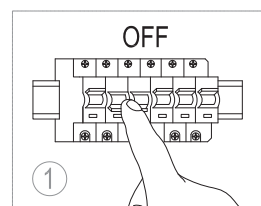
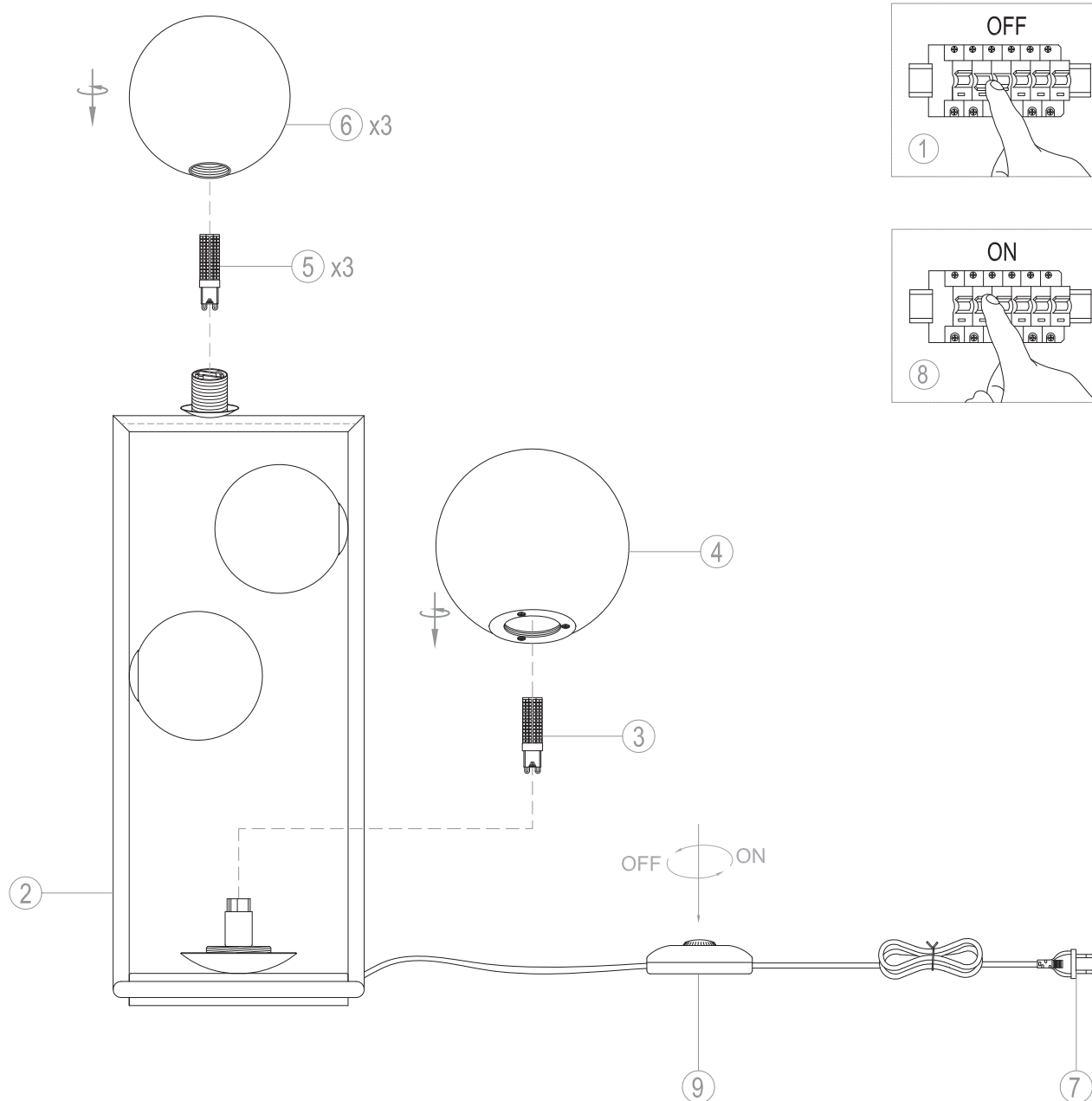
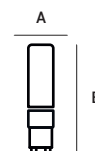


miloox[®]

Model: 1744.311



Imported from Miloox
 a brand of Sforzin Illuminazione
 Viale dell'industria,21
 20037 Paderno Dugnano-Milano-Italy
 Made in China
 Design Arch. Davide Negri



TYPE: **G9 LED**
 4 x MAX 10W
 LED
 220~240V 50/60HZ
 A max : \varnothing 20 mm
 B max : 60 mm
 | www.miloox.com